

# The GLA-Class



**Adventure comes in various guises:**

**20 | Mercedes-Benz GLA-Class 200 CDI Style**

Style equipment package, 5-twin-spoke light-alloy wheels, ARTICO upholstery luxury seat in Black, Carbon-fibre structure trim

**22 | Mercedes-Benz GLA-Class 200 & 200 CDI Sport**

5-twin-spoke light-alloy wheels, ARTICO upholstery luxury seat in Black, Panoramic sunroof, Silver wave-look trim

**26 | Mercedes-Benz GLA 45 AMG 4MATIC**

COMAND online with navigation, AMG high-performance braking system with red-painted brake callipers, Panoramic sunroof

**All set for adventure:**

**1-13** | Featured model at a glance  
- GLA-Class

**14** | Engines

**15** | 7G-DCT dual clutch transmission

**16** | Integral safety concept

**17-23** | Unique features

**24-25** | Standard equipment

**26** | Upholstery and Trim for the GLA-Class

**27** | Paintwork and Alloys for the GLA-Class

**28-33** | The GLA 45 AMG 4MATIC

**34** | The GLA 45 AMG 4MATIC technology

**35** | Upholstery, Trim & Paintwork for GLA 45 AMG 4MATIC

**36-42** | Genuine accessories

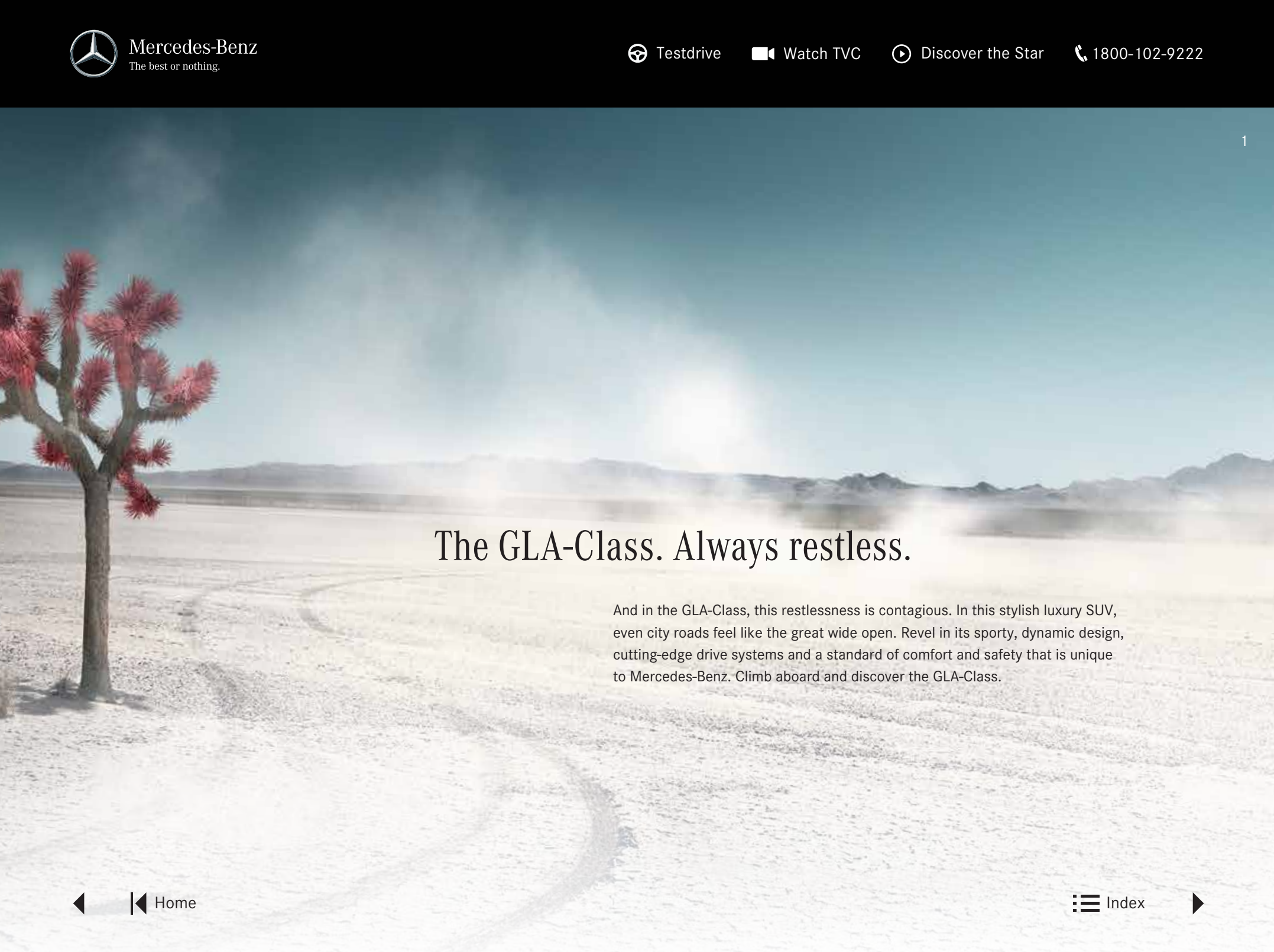
**43** | Dimensions

**44** | Technical data

**45** | Service

**47** | Dealer Network





## The GLA-Class. Always restless.

And in the GLA-Class, this restlessness is contagious. In this stylish luxury SUV, even city roads feel like the great wide open. Revel in its sporty, dynamic design, cutting-edge drive systems and a standard of comfort and safety that is unique to Mercedes-Benz. Climb aboard and discover the GLA-Class.

# Every ray of sunshine is like a spotlight.

If the road is a stage, the GLA-Class is a true character actor. With its typical SUV proportions and its striking front end, it exudes a self-assured presence. But the GLA-Class is not just an SUV – it is first and foremost a Mercedes. As indicated by the centrally-positioned star in the radiator grille and the so-called “dropping line”. This is the design line which extends from the headlamps along the sides to the rear axle, creating an impression of fluid dynamism even when the vehicle is stationary. No wonder the GLA-Class looks so pleased with itself.



\*Please read the disclaimer.



## Light Art.

Not very long ago, headlamps were required simply to provide illumination. Today, many headlamps shine like little works of art. This is attributable above all to LED technology. LEDs are long-lasting and more efficient than conventional lights and they create a fascinating light design. LEDs are employed in the front and rear indicators and in the brake light. The daytime running lamps, standing lamps and tail lamps employ fibre optics, which enable a harmonious arc of light. The resultant lights are absolute gems that provide for a distinctive design, day and night. With their powerful output, the bi-xenon headlamps improve visibility in the dark substantially. Dynamic headlamp range adjustment results in the best possible illumination of the road ahead, whatever the vehicle load, without dazzling oncoming traffic.

\*Please read the disclaimer.



\*Please read the disclaimer.

# High noon. With up to 135 kilowatt.

The GLA-Class is driven by self-confident people with a thirst for adventure. With cutting-edge engines in its class, it is equipped with a high-tech package including turbocharging and direct injection.



\*Please read the disclaimer.

A night in watching TV? Or how about  
starring in your very own road movie ...



\*Please read the disclaimer.



In the background:  
the low-lying sun.



Colour is a vital ingredient of any tale of nature, adventure and freedom.  
The GLA-Class is available in the special paint finish that shines resplendently  
in the evening sun – and at any other time of the day or night, too.

\*Please read the disclaimer.



Tell-tale signs of the GLA's adventurous spirit are to be found wherever you look. The structured bonnet with powerdomes and the radiator grille with two fins lend the front a particularly wide appearance. The appearance is also enhanced with the black grained panelling on wings and side skirts, the shoulder-line trim strip and load sill guard in chrome. The bumper features criss-cross grating and underneath the bumper is the typical SUV-style underguard. The front bumper and the typical SUV-type rear bumper come with black grain trim and under guard in matt silver chrome. Highlights at the rear are the chrome strip between the lights and the roof spoiler.



\*Please read the disclaimer.





The centrepiece of the cockpit is the large free-standing colour display – the point of access to a whole world of information and entertainment in your GLA-Class. As an exclusive GLA-Class feature, the galvanized bezels around these circular vents, echo the SUV-look of the skid plate and side sill panels. The round air vents are design classics in the making, embodying the traditional workmanship and use of high-quality materials. In the GLA-Class, the armrest in the rear opens up to reveal cupholders along with a loading function when the armrest is pulled down.

\*Please read the disclaimer.

## The panoramic sliding sunroof

The interior of the GLA-Class holds a number of surprises in store, with a spacious feeling for a luxury car. The panoramic sliding sunroof conjures up a particularly bright and inviting atmosphere. The rear part consists of a fixed panoramic glass roof while the front part is an electric glass sliding sunroof. Two electric sunblinds provide shade from strong sunlight. In all, an ideal setting to enjoy your new-found freedom.

\*Please read the disclaimer.

## Off-road comfort suspension

Equipped with an India specific suspension, the chassis is raised by 30 mm. This results in improved off-road capabilities thanks to a greater ground clearance of 183 mm with a higher seat position and also a striking off-road look. This suspension variant also features its own steering tuning which enables the GLA-Class to master the most challenging roads.



\*Please read the disclaimer.

## Driving ambition

The GLA-Class is intended to inspire, to fire your imagination and to rouse your spirits. It certainly had this effect on us, prompting us to develop a completely new generation of engines. A cutting-edge technology package compact and lightweight design that produces amazing results.

### The diesel engine: good vibes and virtually no vibrations

The GLA 200 CDI has an output of 100 kW (136 hp) and gives a class leading fuel efficiency of 17.9 km/l. With up to 300 Nm of torque, it offers an effortlessly superior driving experience. Overtaking maneuvers are performed with astounding ease born of refined power. The latest generation of common rail direct injection enables efficient combustion and exceptionally smooth and quiet running.

### The petrol engine: power-packed performance

Driving becomes a pleasure with the 4-cylinder petrol engine with a displacement of 1991cc in the GLA 200, which gives a fuel efficiency of 13.7 km/l. With up to 135 kW (183 hp) of power and 300 Nm of torque, it offers an explicit driving performance with phenomenal top-speed and acceleration.

### A benchmark in efficiency

The GLA's low fuel consumption is attributed to innovative technologies – and our fundamentally holistic approach dedicated to the efficient husbanding of natural resources. We sum this approach up in one word: BlueEFFICIENCY. In concrete terms, this means burning fuel only when it is actually needed, for example. To this end, every GLA is

equipped as standard with the ECO start/stop function, which temporarily shuts down the engine while the vehicle is stationary – in a traffic jam or at a red traffic light, for example. The ECO display is another standard-fit item which helps you to adopt a fuel-saving style of driving – this is still the most effective way of driving with maximum efficiency.

**Note :** Not conducive for driving in Waterlogged roads with still water depth more than 25 cm.

### The engine range

#### Diesel:

GLA 200 CDI with an output of 100 kW (136 hp) and 300 Nm of torque

#### Petrol:

GLA 200 with an output of 135 kW (183 hp) and 300 Nm of torque





## 7G-DCT: Dynamic performance without interruption

Some like to change gear themselves, others prefer the automatic option. There are such good grounds for each of these alternatives that we have incorporated them both in a single transmission: the 7G-DCT dual clutch transmission. The 7G-DCT consists of two sub-transmissions, each with its own clutch. This offers the advantage that the next gear is already engaged and gear-shifting takes place without any

interruption in tractive power. This provides for even more comfortable driving – and above all, automatic gear-shifting is finally as fast as manual mode. We nevertheless appreciate that, however good an automatic transmission may be, many drivers prefer to change gear themselves. Consequently, the package includes steering wheel shift paddles – like in motorsport.

### In short : the transmission variants

The 7G-DCT dual clutch transmission enables fast, smooth gear-shifting without any interruptions in tractive power. The shift characteristics can be preset from fuel-saving to sporty.



## We are driven by our vision of accident-free driving

We are the first automobile manufacturer worldwide to have developed an integral safety concept aimed at avoiding accidents, ensuring ideal responses to dangers and lessening the consequences of accidents. For the occupants of a Mercedes and for all other road users, too.

### Airbags

In addition to the robust bodyshell structure and the highly stable occupant cell, there are six standard-fit airbags to provide the best protection possible for the occupants: the front airbags which are deployed in two stages, depending on the severity of the impact and accident characteristics, windowbags between the A- and C-pillars and sidebags for the driver and front passenger, which serve as thorax/pelvisbags.

### ATTENTION ASSIST

This system can improve driving safety, especially on long journeys and at night. ATTENTION ASSIST monitors the steering behavior of the driver to recognise typical signs of drowsiness and severe loss of attention and gives a visual and audible warning of impending microsleep.

### Headlamp Assist with automatic headlamp activation

Depending on the ambient light conditions, Headlamp Assist automatically switches the low-beam headlamps on or off. In fast-changing lighting conditions especially where the system is able to improve driving safety and relieve driver stress. Like for example, when entering tunnels or multi-storey car parks.

### Anti-lock Brake System (ABS)

The anti-lock braking system (ABS) ensures greater handling safety by preventing wheel-locking especially during emergency braking. This helps the driver to keep the vehicle under control. Like for example, during evasive action or when braking on slippery road surfaces.

### Brake Assist System (BAS)

The system is able to recognise emergency braking by the driver and increase the brake pressure within fractions of a second to shorten the braking distance. To do this, Brake Assist measures the speed of brake pedal operation.

### Adaptive Brake System

The braking system improves driving comfort and safety with the anti-lock braking system (ABS) as a base function. It helps the driver to master critical braking maneuvers more safely and also assists the driver with day-to-day convenience functions such as Hill-Start Assist.

### Electronic Stability Program (ESP)

In dynamically critical driving situations the Electronic Stability Program (ESP®) can counter any tendency to skid. By applying specific braking action at individual wheels, ESP® reduces any tendency to over steer or understeer, thereby improving driving safety.

### Tyre Pressure Monitoring System (TPMS)

Continuous monitoring of the tyre pressures improves driving safety and increases the operating life of the tyres. The tyre pressure of all four wheels is monitored by sensors and indicated in the multifunction display of the instrument cluster.

### Hill Start Assist

Hill-Start Assist enhances comfort and safety and prevents the driver from rolling back in the opposite direction to the engaged gear as the driver moves his foot from brake to accelerator while moving up on uphill gradients.

### Acceleration Skid Control

Acceleration skid control (ASR) prevents individual wheels from spinning, when the vehicle is moving on and accelerating on snow, wet road surfaces or gravel. It prevents the vehicle from braking away sideways.

### Childproofing manually operated for the rear doors and electrically operated for rear power windows

To prevent children in the rear from opening the doors or side windows on their own, the rear doors can be secured mechanically and the power windows electrically. The doors can then only be opened from outside and the side windows can only be opened via the control buttons in the driver's door. In an event of crash, the doors unlock automatically and fuel supply shuts off.

### Lamp failure indicator

This feature provides reliable information when the bulbs of headlamps and tail lights fail.

### QR code stickers for post-accident rescue

The QR codes are attached to the fuel tank cap and opposite to the B-Pillar. Scanning the QR code displays the current rescue information for the respective vehicle model.

### Adaptive brake lights flashing

During emergency braking, flashing brake lights can help to reduce the reaction time of the driver behind significantly. Adaptive LED brake lights therefore make an important contribution to the avoidance of rear-end collisions.

## Adds the extra amount of relaxation to your luxurious drive

The **infotainment system** ensures that you have an entertaining journey.

The Mercedes-Benz multimedia system boasts a TFT colour display with a 14.7 cm diagonal screen. With its integral CD drive both MP3 and WMA/AAC files can be played. It can be conveniently operated via the multifunction steering wheel and the controller and it includes an integral telephone keypad, a Bluetooth® interface with a hands-free function and an Aux-in and USB socket in the stowage compartment. This means that you can easily play music that you have saved on an MP3 player, smartphone or mobile data carrier, for instance.



High resolution colour display with a diagonal of 14.7 cm

Reversing and manoeuvring are not the most pleasant situations for a driver. But what used to be rather tricky operations can now be performed with ease. The **reversing camera** is switched on automatically when the driver selects reverse gear, and shows the driver the area behind the vehicle on the CENTRAL MEDIA DISPLAY. Dynamic guide lines provide clear orientation for manoeuvring. And when reversing, for example from a house drive or parking space, the driver can switch to a wide-angle view of 180 degrees so as to recognise approaching pedestrians or vehicles sooner. After use, the camera folds in again automatically, ensuring optimum protection from soiling.



## Car infotainment system

The GLA-Class offers Audio 20 CD multimedia system with TFT colour display.

**Audio 20 CD.** Audio 20 CD ensures that you have an entertaining journey. The Mercedes-Benz multimedia system boasts a TFT colour display with a 14.7 cms diagonal screen. With its integral CD drive both MP3 and WMA/AAC files can be played. Audio 20 CD can be conveniently operated via the multifunction steering wheel and the Controller in the centre console, and it includes an integral telephone keypad, a Bluetooth® interface with a hands-free function and two USB sockets in stowage compartment on the centre console. This means that you can easily play music that you have saved on an MP3 player, smartphone or mobile data carrier, for instance. Six loudspeakers bring you pristine listening experiences perfectly tuned to the vehicle's interior. Thanks to its integral CD drive both MP3 and WMA/AAC files can be played.



High resolution colour display with a diagonal screen of 14.7 cms

\*Please read the disclaimer.

## Stylish yet spacious



The load compartment has SUV-specific features such as a robust external loading sill guard. The flexible and variable interior of the GLA makes it your best adventure companion. The open luggage compartment capacity behind rear seat is 421 litres. The rear seat backrests can be folded down 40:60 and also feature a load through function making it easy to transport long objects. The rear seat backrests fold down completely and will then offer 1235 litres of loading space.

---

In order to enlarge the luggage compartment, the **backrests** of the rear seats can be folded forward either together or separately.

---

## GLA 200 CDI Style



## GLA 200 CDI Style

---

Bi-Xenon headlamps with daytime running lights

---

Aluminium roof rails in high-gloss black

---

45.72 cm (R18) 5-twin-spoke light-alloy wheels painted in black with a high-sheen finish

---

Multifunction steering wheel in leather with shift paddles

---

Carbon-fibre structure trim

---

Reversing Camera

---

Infotainment system with central controller

---

Electrically folding mirrors with automatically dimming function

---

ATTENTION ASSIST

---

Cruise Control

---

ECO start/stop function

---

Tyre pressure monitoring system

---

Electrically adjustable driver seat with memory function

---

Seat comfort package

---

Folding rear seat backrests split-folding

---

Rear armrest

---



## GLA-Class 200 & 200 CDI Sport



\*Please read the disclaimer.



## GLA-Class 200 & 200 CDI Sport

---

Bi-Xenon headlamps with daytime running lights

---

Aluminium roof rails

---

45.72 cm (R18) 5-twin-spoke light-alloy wheels painted in vanadium silver

---

Twin-pipe exhaust system with chrome-plated tailpipe trim elements integrated into the bumper

---

Panoramic sunroof

---

Silver wave-look trim

---

Multifunction steering wheel in leather with shift paddles

---

Reversing Camera

---

---

Infotainment system with central controller

---

Electrically folding mirrors with automatically dimming function

---

ATTENTION ASSIST

---

Cruise control

---

ECO start/stop function

---

Tyre pressure monitoring system

---

Electrically adjustable driver and passenger seat with memory function

---

Seat comfort package

---

Folding rear seat backrests split-folding

---

Rear armrest

---



\*Please read the disclaimer.

## Standard equipment

There are countless ways of making the new GLA-Class your very own.

The **reversing camera** is switched on automatically when the driver selects reverse gear, and shows the driver the area behind the vehicle on the CENTRAL MEDIA DISPLAY. What used to be rather tricky operations can now be performed with ease.

The GLA-Class comes with electrically adjustable driver seat with memory function. The **memory function** is able to save three individual settings for the seat positions which can be called up at any time.

In the GLA-Class, the **rear armrest** opens up to reveal cupholders along with a loading function when the armrest is pulled down.



## Standard equipment

Each **roof rails** are harmoniously integrated into the vehicle's design and serve as a base for various roof racks and roof luggage carriers.

The **ATTENTION ASSIST** in the GLA-Class recommends taking a break if it detects signs of driver drowsiness or inattention.

**Bi-Xenon headlamps** offer vast luminous power to improve night-time vision and visibility considerably while also illuminating the edges of the carriageway more clearly and over a wider area.



## Upholstery and Trim for the GLA-Class

---

### SPORT

---

#### UPHOLSTERY

ARTICO upholstery luxury seat in Black

ARTICO upholstery luxury seat in Sahara beige

---

#### TRIM

Silver wave-look trim

---

---

### STYLE

---

#### UPHOLSTERY

ARTICO upholstery luxury seat in Black

---

#### TRIM

Carbon-fibre structure trim

---

#### UPHOLSTERY



ARTICO upholstery luxury seat in Black

#### TRIM



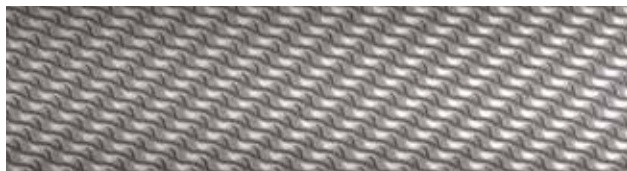
Silver wave-look trim

#### UPHOLSTERY



ARTICO upholstery luxury seat in Black

#### TRIM



Carbon-fibre structure trim



ARTICO upholstery luxury seat in Sahara beige

## Paintwork and Alloys for the GLA-Class

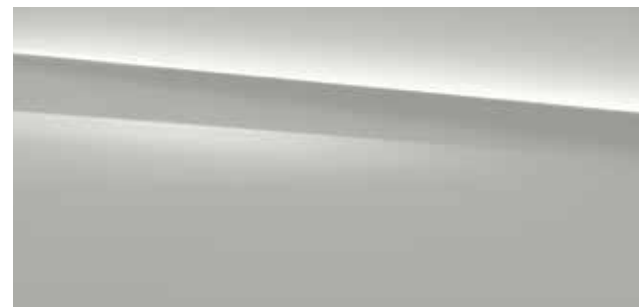
The innovative paint system developed by Mercedes-Benz includes one of the best clear coats on the automotive market and is a key factor behind the car's excellent value retention.

Wheels are indispensable on technical grounds, of course. But on an emotional level, too, perfect wheels are an absolutely crucial ingredient of many people's dream car. With this in mind, we have put together a particularly large and diverse selection for you.

### METALLIC PAINTS

Polar Silver

Orient Brown



Polar Silver



Orient Brown

### NON-METALLIC PAINTS

Jupiter Red

Cirrus White



Jupiter Red



Cirrus White



45.72 cm (R18) 5-twin-spoke light-alloy wheels painted in black with a high-shine finish (available in Style)



45.72 cm (R18) 5-twin-spoke light-alloy wheels painted in vanadium silver (available in Sport)

# The GLA 45 AMG 4MATIC. Turning night into day.

## Ah My God!

Experience an emotion so overwhelming, the voice in your head will be at a loss for words. Discover this indescribable feeling with the world's most powerful series production 4-cylinder engine, AMG high-performance braking system, AMG SPEEDSHIFT DCT 7-speed sports transmission, performance-oriented 4MATIC all-wheel drive and a sports suspension, which propel the GLA 45 AMG 4MATIC into a league of its own.



\*Please read the disclaimer.



The high-performance GLA 45 AMG 4MATIC delights you with its high quality appeal, combined with sporty flair and exclusive features. All controls and displays are in performance-oriented design. For example, the AMG DRIVE UNIT in the centre console and the AMG instrument cluster. The trim also plays its part in conjuring up a tangible feeling of motorsport.







## The GLA 45 AMG 4MATIC. High-performance sport

As you see: AMG design through and through, down to the finest detail. The interior of the GLA 45 AMG delights with its high-quality appeal, combined with sporty flair and exclusive equipment features. Rest assured – you can believe your eyes.

### Highlights – Exterior

Twin louvre in matt titanium grey with “AMG” lettering.

AMG performance exhaust system in two chrome-plated twin pipe design.  
Gives emotional sound experience when adopting a sporty style of driving.

AMG 5-twin-spoke light-alloy wheels with 235/45 R 19 tyres.

AMG side sill panels with inserts in matt titanium grey and “TURBO AMG” lettering on the front wings.

Aluminium roof rails.

AMG high-performance braking system with red-painted brake callipers

### Highlights – Interior

AMG performance seats with red contrasting topstitching and designo seat belts in red

AMG speed-sensitive performance steering wheel in black nappa leather / Alcantara® with AMG aluminium shift paddles and flattened bottom section

COMAND online with navigation. Includes Online Multimedia system with a high-resolution 18 cm (R7) TFT display.

Panoramic sunroof system ensures a particularly bright and welcoming ambience in the interior.



\*Please read the disclaimer.

## The GLA 45 AMG 4MATIC

World's most powerful 4 cylinder series production engine.

The outstanding performance and efficiency of the GLA 45 AMG 4MATIC is a result of extensive development work. The innovative AMG 2.0-litre 4-cylinder bi-turbo engine produces 265 kW. The high-performance engine generates 450 Nm of torque, thus accelerating the vehicle from 0 to 100 km/h in a staggering 4.8 seconds only.

The high-performance engine is fully hand-crafted according to the traditional AMG philosophy “one man, one engine” – as indicated by the AMG engine plate bearing the signature of the responsible AMG technician.

---

The **AMG SPEEDSHIFT DCT 7-speed sports transmission** features three transmission function modes as well as an automatic double declutching and Racestart function.

---

The **3-stage Electronic Stability Programme (ESP®)** serves to alter the characteristics of the all-wheel drive system from sporty with an emphasis on safety to maximum performance on cordoned-off race tracks.

---

The **AMG high-performance braking system** enables outstanding deceleration characteristics thanks to large, internally ventilated and perforated brake discs.

---

**AMG speed-sensitive performance steering** supports a sporty driving style by its direct steering behavior and rapid responsiveness.

---



## The GLA 45 AMG 4MATIC technology

AMG performance 4MATIC with AMG-specific electro-hydraulic control via multi-disc clutch makes variable torque distribution possible depending on the handling situation which ranges from 100% front-wheel drive to a ratio of 50:50. Thanks to this innovation, the all-wheel drive adapts to the driving situation flexibly and very quickly.



## Upholstery, Trim & Paintwork for the GLA 45 AMG 4MATIC

---

### UPHOLSTERY

---

AMG performance seats with red contrasting topstitching

---

### UPHOLSTERY



AMG performance seats with red contrasting topstitching

---

### TRIM

---

Light aluminium trim with longitudinal grain

---

### TRIM



Light aluminium trim with longitudinal grain

---

### METALLIC PAINTS

---

Cosmos Black

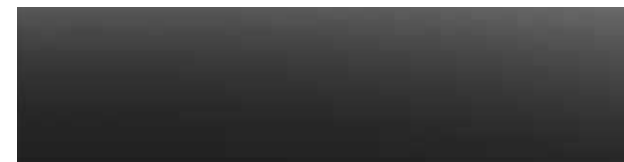
---

Mountain Grey

---



Cosmos Black



Mountain Grey

---

### NON-METALLIC PAINTS

---

Jupiter Red

---

Cirrus White

---



Jupiter Red



Cirrus White

## Genuine accessories

The GLA-Class is a car that combines comfort and safety with a sporty driving experience. Genuine accessories from Mercedes-Benz allow you to build on these qualities at the same time giving a personal touch to your car.

### Rear Seat Entertainment system

This elegant DVD system allows the rear passengers to watch DVDs, look at their favorite pictures and even play video games on two superb 17.8 cm screens with TFT technology, without disturbing the driver or restricting the rear field of vision. Rear-seat passengers have the option of watching a different video source on each screen, allowing each to select their own individual entertainment. The AV-IN connection and USB and SD card interfaces allow other storage media to be used too. Supplied with two sets of infrared headphones and remote control. A separately available video cable allows users to watch videos or view images from external sources.



Rear Seat Entertainment system

### Apple iPad2®-iPad4® Docking Station, rear, kit

The ergonomic, crashproof Docking Station introduces the iPad® and all of its familiar functions to your Mercedes-Benz. All connections, e.g. for your headphones or charging cable, remain accessible. The mount is fitted to the head restraint and can be tilted and rotated around 90°. Available for iPad®, iPad® 2, iPad® 3 and iPad® 4.



Apple iPad2®-iPad4® Docking Station, rear, kit

### Quickpark - Parking made easy

The Quickpark parking assist system is ideal at places where space is limited. The system is automatically activated when reverse gear is engaged. It is based in ultrasonic technology: ultrasonic signals are bounced back off obstacles in their path, and the distance between the vehicle and the obstacle is indicated by an audible warning signal.



Quickpark

### Navigation 20

Fully integrated, fully featured, fully connected: the Navigation 20 along with accurate and detailed maps of thousand cities and towns across India, your Mercedes-Benz Navigation system comes loaded with millions of points of Interest. These include establishments like ATMs, petrol bunks, restaurants, hospitals, malls and a lot more.



Navigation 20

## Genuine accessories

### Styling

#### Exterior Mirror Housing

For an individual, sporty and dynamic look.  
Set of 2.

#### Sports pedals in brushed stainless steel

Sports pedals in brushed stainless steel lend a high-quality appearance giving a refined, sporty look. They are created using high quality stainless steel with non-slip stud inlay. Extremely hardwearing and durable, they are crafted from the optimum selection of materials and safety-tested to Mercedes-Benz's very high standards.

#### Illuminated door sill panel

Refinement and a touch of individuality. With these high-quality door sill panels in ground stainless steel, the SPORT lettering is illuminated in white every time the door is opened. A distinctive, eye-catching accessory, whether in daylight or at night – thanks to “SPORT” lettering illuminated in brilliant white.

#### Illuminated Star

Using fibre-optics and LED technology the central star on the radiator grill of your Mercedes illuminates when you lock or unlock the car with your remote or when you open a door or the boot lid.

\*Only functions when engine is switched off.



Exterior Mirror Housing



Sports pedals in brushed stainless steel



Illuminated door sill panel



Illuminated Star

## Genuine accessories

### Protection and Care

#### Mud-Flaps

Protect the underbody and the sides of the vehicle from loose chippings and dirt. Available in pairs for front and rear axle in black color.

The **all-season floor mats** in the GLA 45 AMG 4MATIC are robust, washable and designed for heavy use. Their curved line design comes with the distinctive Mercedes-Benz star logo which are available in black.

The **rep floor mats** created for the GLA 45 AMG 4MATIC are durable, extremely hardwearing needle felt mats, featuring metal badge with the Mercedes-Benz lettering. These are available in black.

#### Velour floor mats

Elegant, high-quality tufted velour mats, featuring metal badge with Mercedes-Benz lettering. Available in various colours to match your interior.



Mud-Flaps



All-season floor mats



Rep floor mats



Velour floor mats



## Genuine accessories

### Light Alloy Wheels

Mercedes-Benz light-alloy wheels not only boost your vehicle's looks, they also offer the ultimate in safety. All wheels are precision-tailored to your vehicle in terms of load profile and dimensions. Before your light-alloy wheels are allowed to accompany you safely on your travels, they are subjected to an extensive development and testing programme. Each wheel design has to pass a variety of endurance tests, based on exacting Mercedes-Benz guidelines, all of which exceed statutory requirements. These include special test routines which simulate real challenges on the road and material tests in cutting-edge x-ray facilities. Only once all of the tests have been passed may the wheels be included in the range of genuine Mercedes-Benz light-alloy wheels. Add an individual touch to your vehicle with a tested and approved genuine Mercedes-Benz light-alloy wheel and head for the open road.



5-twin-spoke wheel | Black, high-sheen  
Wheel 8 J x 19 ET 43.5 | Tyre 235/45/R19



5-twin-spoke wheel | Vanadium silver  
Wheel 8 J x 19 ET 43.5 | Tyre 235/45/R19



5-twin-spoke wheel | Black, high-sheen  
Wheel 7 J x 18 ET 46 | Tyre 235/50/R18



5-twin-spoke wheel | Vanadium silver  
Wheel 7 J x 18 ET 46 | Tyre 235/50/R18



5-twin-spoke wheel | Vanadium silver  
Wheel 7 J x 18 ET 46 | Tyre 235/50/R18



5-twin-spoke wheel | Tremolite metallic, high-sheen  
Wheel 8 J x 19 ET 43.5 | Tyre 235/45/R19



**Hub Caps** Mercedes-Benz hub caps provides a stylish finish for light Alloy wheels. It is not just attractive but practical too as the caps keep the hubs clean. There are plenty of options available to choose from various designs available to suit Mercedes-Benz vehicles.



**Valve caps, black** Chrome valve caps with a Mercedes-Benz star logo embossed on head, add a refined stylish finishing touch to all Mercedes-Benz light alloy wheels.

## Genuine accessories

### Cargo and Care

#### Stowage crate

A secure hold for items which are prone to tip over or slide around, e.g. shopping bags. Adjustable partitioning elements allow crate to be divided into max. four sections. Optimum functionality only in conjunction with shallow boot tub.

#### Shallow boot tub

Made from impact-resistant, non-slip polypropylene. Suitable for transporting foodstuffs. Structured surface holds separately available stowage crate in place.

#### Concertina load sill protector

Protects the rear of the vehicle from scratches when you're loading the vehicle – and prevents dirt from the car from getting onto your clothes. Practical design – can be secured to shallow boot tub or reversible mat.

#### Reversible mat, black

One high-quality velour side and one rubberised, non-slip side. Design allows concertina load sill protector to be connected.



Stowage crate, black



Boot tub, shallow, black



Concertina load sill protector, black



Reversible mat, black

## Genuine accessories

### Other Accessories

#### Coolbox

Not only cools but warms too. Cools to up to 20°C below ambient temperature – to max. -2°C. Can be switched to warming function. Robust, highly insulated hard case with fabric cover, outside pockets and padded shoulder strap. Capacity: 24 litres. Can be connected to 12 V socket in vehicle or to 230 V power source via separately available rectifier.

#### Rectifier

Allows the coolbox to be connected to a 230 V socket at home.

#### Coat hanger

Minimize creasing with this stylish and practical coat hanger made from chromed metal. Easy to fit to the front head restraints.

#### Tyre pressure gauge

Allows you to carry out a quick tyre pressure check on the road or at home. Keeping tyres at the optimum pressure saves fuel and reduces tyre wear. Suitable for all motor vehicle tyre valves and for cycle valves. Supplied with leather pouch.

#### Multipurpose holder

The multipurpose holder divides the open stowage compartment in your centre console into two subcompartments of equal size, designed to hold cans and drink containers securely in place. Stowage space for parking permits, plastic cards and coins. In high-quality plastic with chrome trim.



Coolbox



Rectifier



Coat hanger, on head restraint



Tyre pressure gauge black, plastic



Multipurpose holder

## Genuine accessories

### Mercedes-Benz Child Safety

Mercedes-Benz child seats offer optimum protection in the event of an accident. Child seats are tested and inspected to exacting Mercedes-Benz specification.

**“BABY-SAFE plus II” child seat** Deep, moulded seat design offers extra side-impact protection for optimum safety. Special padding, designed to protect particularly vulnerable body areas of children up to around 15 months (up to 13 kg).

**“DUO plus” child seat** Optimum safety for children between the ages of around 8 months and 4 years (9 to 18 kg). Fitted as standard with top tether, an additional belt for securing the head section, a height-adjustable shoulder belt, ventilation channels and ISOFIX attachment.

**“KIDFIX” child seat** Booster seat for optimum side-impact protection, with height adjustable backrest. The “KIDFIX” seat is secured using the 3-point seat belt and ISOFIT attachment points. For children between the ages of around 3.5 and 12 (15 to 36 kg).



“BABY-SAFE plus II” child seat

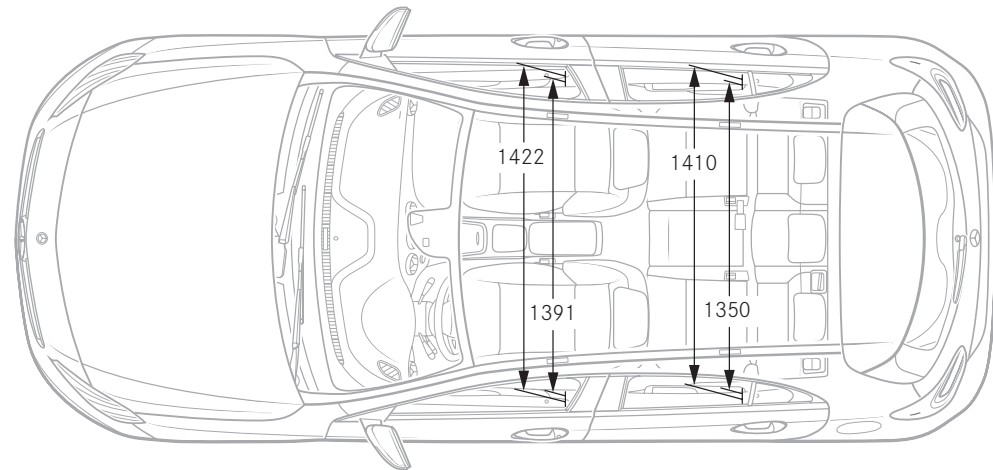
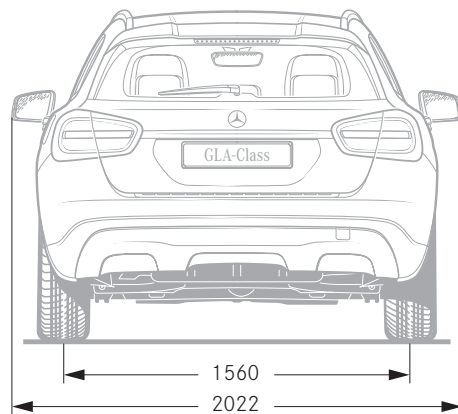
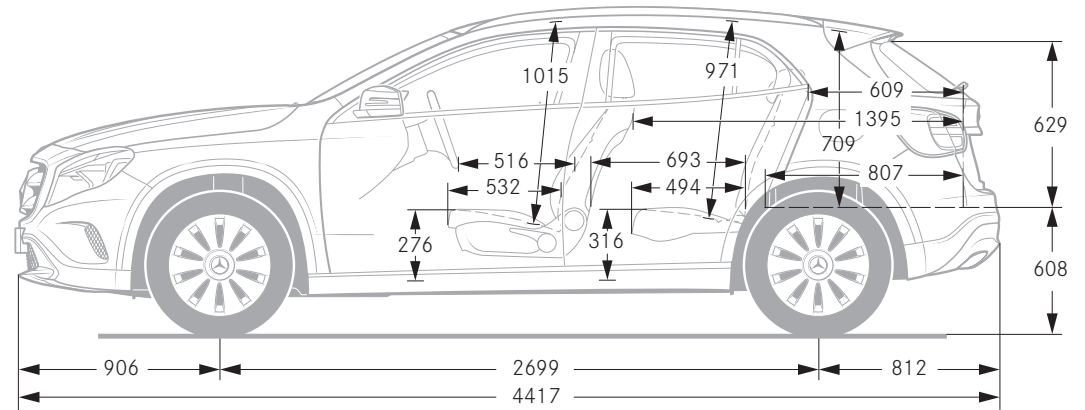
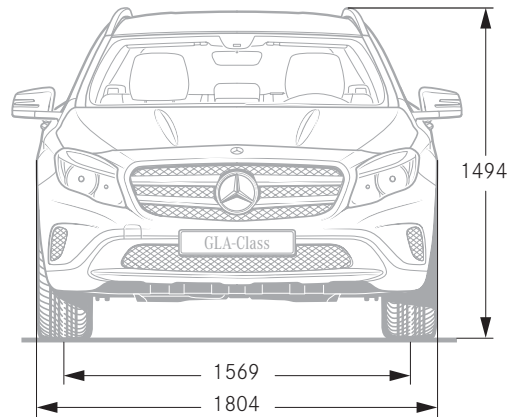


“DUO plus” child seat



“KIDFIX” child seat

# Dimensions



All dimensions in millimetres. The dimensions shown are mean values and apply to standard-specification, unladen vehicles.

## Technical data

	GLA 200	GLA 200 CDI	GLA 45 AMG 4MATIC
Arrangement/no. of cylinders	Inline / 4	Inline / 4	Inline / 4
Total displacement (cc)	1991	2143	1991
Max. engine output [kW (hp) @ rpm]	135 (183) @ 5500	100 (136) @ 3600 - 4400	265 (360) @ 6000
Max. torque (Nm @ rpm)	300 @ 1200-1400	300 @ 1600 - 3000	450 @ 2250-5000
Approx. top speed (km/h)	225	205	250
Acceleration 0-100 kmph (sec)	7.6	9.9	4.8
Tyres/wheels	235/50 R 18	235/50 R 18	235/45 R19
Transmission	7G-DCT 7 speed dual clutch transmission	7G-DCT 7 speed dual clutch transmission	AMG SPEEDSHIFT DCT 7-Speed sports transmission
Fuel type	Petrol	Diesel	Petrol
Length (mm)	4417	4417	4445
Width (mm)	1804	1804	1804
Height (mm)	1494	1494	1479
Wheelbase (mm)	2699	2699	2699
Kerb weight (kg)	1525	1585	1720
Perm. GVW (kg)	1940	2020	2105
Open luggage compartment capacity behind rear seat (l)	421	421	421
Maximum luggage capacity behind driver's seat (l)	1235	1235	1235
Turning circle diameter (m)	11.84	11.84	11.84

## Service

The luxurious experience of driving a Mercedes-Benz is converted into a fulfilling ownership experience with a range of exclusive services and special programmes. **For the New Generation Cars, the ownership experience starts at Rs. 1.99/ kilometre.**

### Cost of Ownership

There has been a paradigm shift in the buying preferences of Indian consumers over the years, even for the luxury products. The purchase decision not only dwells around cost of acquisition but also the total 'Cost of Ownership' (COO). The ownership experience for the New Generation Cars **starts at Rs. 1.99/ kilometre.** Amongst the key components of COO in cars are the routine service jobs and the unplanned repair expenses post the warranty period.

We offer highly affordable service package with warranty programmes which includes **2 years standard warranty plus 1 year complimentary warranty** under the Star Care programme and a **1 year extended warranty under the Star Care plus programme.** Which means a total of 4 years warranty with absolutely no mileage restrictions. All in all, we provide you with a controlled Cost of Ownership while you benefit from the legendary Mercedes-Benz service quality.

### STAR CARE

Experience complete peace of mind when you drive the Star. STAR CARE programme offers peace of mind drive for you during warranty period and beyond. While our cars are covered for warrantable repairs up to 3 years without any mileage limitations, as standard, you can also buy STAR CARE Plus programme, offering 4th year extended warranty. Additionally, the programme enhances the resale value of your car.



Extended Warranty that guarantees complete peace of mind

### STAR EASE

STAR EASE Service Package gives you the freedom to relax behind the wheel and puts your mind at ease with its range of unique benefits such as defined cost of maintenance and priority handling. STAR EASE Comprehensive Package covers essential jobs related to periodic service (viz. oil, filters, consumables, etc.) along with coverage for brake pads, brake discs, wiper blades and wheel alignment & balancing, for a contracted period. For further details on products and pricing, please contact your nearest Mercedes-Benz dealer.

### On-Road Assistance Programme

Mercedes-Benz is the only luxury car manufacturer to offer round-the-clock On-Road Assistance for **3 years** from purchase of vehicle as a **standard offering**. Some of the special privileges include pick-up from the breakdown location, medical co-ordination in case of accidents and free hotel accommodation in case of vehicle immobilization\*. The best guaranteed, always.



The maintenance of your Star is just as peaceful as driving it



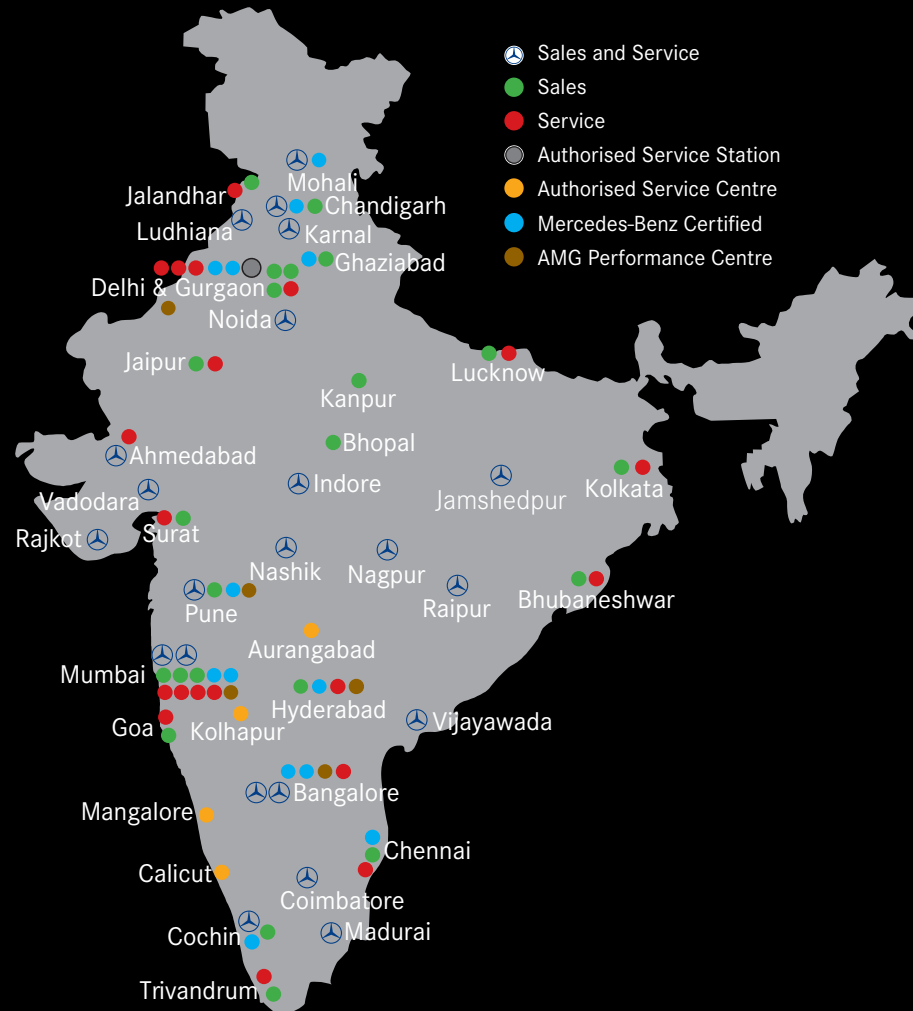
Always at your service

Conditions apply.



# India's Largest Luxury Car Network

It takes a keen sense of responsibility to provide the best in service – our large network is spread across the country in 39 cities with 73 outlets and is still growing. With world-class showrooms, state-of-the-art workshops and highly skilled personnel, experience the best wherever you go.



## SALES & SERVICE:

### NORTH & EAST:

#### DELHI: T & T Motors:

Mohan Co-operative, Mathura Road:  
011-66574300-330;  
Rajouri Garden: 011-66574400-430;  
Gurgaon: 0124-4263060-62;  
Jaipur: 0141-4300000-05.

NOIDA: Silver Arrows: 0-9999200500.

GHAZIABAD: Silver Arrows: 0-9718200500.

#### PUNJAB & CHANDIGARH:

Joshi Autozone: Jalandhar: 0181-5004444;  
Ludhiana: 0161-5055000;  
Chandigarh: 0172-5050500;  
Panjab Motors: Mohali: 0172-4290000;  
Chandigarh: 0172-4290000.

KARNAL: Berkeley Motors: 0184-3300000.

LUCKNOW: Smart Hoops: 0522-6004008/9.

KANPUR: Smart Hoops: 0-8795663300.

KOLKATA: Benchmark Interkrafts:  
1800-3000-3310.

BHUBANESWAR: Tristar Motors:  
0-7852944100.

JAMSHEDPUR: Tristar Motors:  
0-7763815720 / 0657-6601601/02

### WEST:

MUMBAI: Auto Hangar: Prabhadevi:  
022-67434362/63;

Andheri: 022-67106660/61;

Metro Motors Auto Hangar division  
(Hughes Road): 022-66123500/11;  
Shaman Wheels: Off BKC: 022-24228787;  
Navi Mumbai: 022-24228787.

NAGPUR: Auto Hangar: 07104-238180,  
0-9223540191.

RAIPUR: Auto Hangar: 0771-6537801,  
0-8518887155.

PUNE: B. U. Bhandari: 020-67212121.

Pune City Showroom: 020-67212131.

NASHIK: Indisch Motoren: 0253-6645555.

GOA: Counto Motors: 0-8322415122.

### Benchmark Cars:

AHMEDABAD: 0-9377662000;  
SURAT: 0-9377660066;  
VADODARA: 0-9377390001;  
INDORE: 1800-3000-8844;  
RAJKOT: 0-9377750050;  
BHOPAL: 0-9098233233.

### SOUTH:

CHENNAI: Trans Car: 044-33570000.

### BANGALORE:

Sundaram Motors: 080-22070720/21;  
Akshaya Motors:  
Mysore Road- 080-22966300,  
Koramangala- 090-19326026

**MADURAI:**

**Sundaram Motors:** 0452-2320433,  
0-9500966946.

**COIMBATORE:**

**Sundaram Motors:** 0422-2452020.

**COCHIN: Rajasree Motors:**

0484-2706332/2706432/2706134,  
2607027/37/47.

**TRIVANDRUM: Rajasree Motors:**

0471-2380377/ 0-9846547551.

**HYDERABAD: Mahavir Motors:**

040-43403004.

**VIJAYAWADA: Mahavir Motors:**

0866-2082559, 0-9885303004.

**AUTHORISED SERVICE STATION:****DELHI: Patel Auto Services: Rajendra Place:**

011-47626262, 0-9810081048.

**AUTHORISED SERVICE CENTERS:****WEST:****AURANGABAD: B. U. Bhandari:**

0240-6452601/ 02, 0-8605121333.

**KOLHAPUR: B. U. Bhandari:**

0230-3290466, 0-9423041015.

**SOUTH:****MANGALORE: Sundaram Motors:**

0-8242275779, 0-9900236284.

**CALICUT: Rajasree Motors:**

0495-2767155, 0-9846144304.

**MERCEDES-BENZ CERTIFIED:****BANGALORE: Sundaram Motors:**

080-22070746, 0-9880662051;

**Akshaya Motors:** 0-9591992907.

**CHANDIGARH: Joshi Autozone:**

0172-5050500 /510.

**CHENNAI: Transcar:** 0-9841049994.**HYDERABAD: Adishwar:** 0-7799633004.**KOCHI: Rajasree Motors:** 0-9846547311.**DELHI: T&T Motors Ltd.: Mathura Road:**

0-9711774424, **West Delhi:** 9711112243.

**GHAZIABAD: Silver Arrows:** 0-9718200500.**MOHALI: Panjab Motors:** 0-9878467800,

0172-4290000.

**MUMBAI: Autohangar India:** 0-9223546204;

**Shaman Wheels:** 0-9619023450,

0-9167582287, 022-69543333.

**Pune: B U Bhandari:** 020-67212121.

**AMG PERFORMANCE CENTERS:****BENGALURU: Sundaram Motors:**

080-22070720/21.

**MUMBAI: Auto Hangar (I) Pvt. Ltd:**

022-67434360/61.

**DELHI: T&T Motors:**

011-66574300.

**PUNE: B.U. Bhandari:**

020-67212132, 0-8554055555.

**HYDERABAD: Mahavir Motors:**

0-9885033004, 0-9885653004.

**Our national toll-free no.: 1800 102 9222 | One Call. All Answers.**

**Mercedes-Benz India Private Limited:** E-3, MIDC Chakan - Phase III, Chakan Industrial Area, Kuruli & Nighoje, Tal: Khed, Pune - 410 501 (India)  
Toll free No.: 1800 102 9222. e-mail: [customerconnect@daimler.com](mailto:customerconnect@daimler.com), **website:** [www.mercedes-benz.co.in](http://www.mercedes-benz.co.in)

**Please note:** This brochure is intended for general information, description and illustration of the Product including optional functions and equipment and may not be specific to a Product since specification of a product may change from time to time. Optional features, functions and equipment etc. may not be present in the Standard or Variant Product or Special Edition Product. Further, Standard specifications of a product may also vary from time to time. Colours may differ from those shown in pictures in the brochure, owing to printing. Mercedes-Benz India reserves the right to make changes, at any point of time, without prior notice, in design, colours, materials, components, equipment, specifications, features, functions, make and models etc. The information given in this brochure shall be regarded as accurate at the time of going to print and may vary thereafter due to any developments or any other reason. Interested parties should confirm with the Authorised Dealer about the correct specification of the product they desire to purchase. For the latest authentic information and updates, kindly contact your nearest Authorised Dealer.

All title, ownership rights and intellectual property rights in and relating to this brochure / magazine or publication material or any copies thereof including but not limited to copyright, logos, names, trademarks, service marks, design, text, images, links, concepts and themes are owned by Daimler AG and/or its subsidiaries collectively or used under authorized license by the Daimler AG. Any reproduction, transmission, publication, performance, broadcast, alteration, license, creation of derivative works or other use in whole or in part in any manner without the prior written consent of the Daimler AG is strictly prohibited.

Month of going to press: May, 2015. Mercedes-Benz cars: The GLA-Class meets Bharat Stage IV equivalent emission norms.

CIN - U34102PN1994PTC083160