

Audi Vorsprung durch Technik

AUDI INDIA
Division of Volkswagen
Group Sales India Private Limited
Mumbai - India
www.audi.in

Printed in India

The models, colours and equipment versions illustrated and described in this brochure and some of the services listed are not available in all countries. Some of the models and colours of the cars illustrated are equipped with optional features for which an extra charge is made. Details concerning the delivery specifications, appearance, performance, dimensions and weights, fuel consumption and running costs of the vehicle were correct to the best of our knowledge at the time of going to press. Deviations from the colours and shapes shown in the illustrations may occur. No liability is accepted for errors and printing errors. The right to introduce modifications is reserved. Not to be reproduced, including in part, without the written approval of AUDI AG.



A5 | S5





The new Audi A5 Sportback.

The new Audi A5 Sportback is functionality in its most progressive form. With its more sharply defined design, refined suspension, powerful engines and innovative assistance systems, it is turning progress into a whole new experience. Yet again.







Where innovations take shape: the interior.

Turn your ideas into reality in the interior of the new A5. From the seats and the leather steering wheel in 3-spoke design or the optional flat bottom steering wheel with multifunction plus, to the optional contour/ambient lighting package and the inlays. Every detail is made from high-quality materials and has a captivating first-class finish. For a unique look that is bound to turn heads.



The Audi A5 Cabriolet.

Day or night, on a coastal road or in the city – the Audi A5 Cabriolet will delight you on every journey. And right from the very first glance. Every detail emphasises its dynamism and progressiveness. The distinctive Singleframe, the sculpted shoulder line, the redesigned fabric hood – all unmistakable features that accentuate its sporty elegance.



What drives us forward: innovation.

Sounds good: the standard acoustic hood doesn't just accentuate the classic convertible character of the Audi A5, it also provides effective insulation from exterior noise. Ensuring that the interior remains a haven of peace and quiet, even at high speeds. Thanks to the standard convenience opening feature, the hood can be opened or closed at the touch of a button. Operation is fully automatic at vehicle speeds of up to 50 km/h. All you have to do is enjoy the feel of the wind in your hair.





The new Audi S5 Sportback.

Sportiness taken to the next level: that's the Audi S5 Sportback. The S-specific bumpers and twin tailpipes in chrome lend visual expression to its performance. The LED rear lights with dynamic indicators emphasise the athletic body line. Making it clear immediately where you're headed. And making a lasting impression on anyone who sees them. Even after the S5 Sportback has disappeared from sight.



Enthralling at lightning speed: the sporty interior.

The interior of the Audi S5 Sportback is proof of just how comfortable sportiness can be: with the S sport seats^{1,2} with rhombus pattern, S embossing and pneumatic massage function. Looking forward, the view becomes dynamic: the Audi virtual cockpit is a captivating feature, with an S-specific display for an even sportier look. New standards are being defined when it comes to individuality, too. The contour/ambient lighting package enables you to tailor the colour scheme of the interior lighting to your own personal preferences. And make an impressive show of the entire interior. Every detail is chosen by you. To ensure everyone's eyes light up.

Model	Audi A5 Sportback 2.0 TDI	Audi A5 Cabriolet 2.0 TDI quattro	Audi S5 Sportback 3.0 TFSI quattro
Engine type	4-cylinder in-line diesel engine with common rail injection system and turbocharging	4-cylinder in-line diesel engine with common rail injection system and turbocharging	V6 Petrol engine with direct fuel injection, turbocharging and Audi valvelift system
Displacement in cc (valves per cylinder)	1,968 (4)	1,968 (4)	2995(4)
Max. output ¹ in kW at rpm	140/3800-4200	140/3800-4200	260/5400-6400
Max. torque in Nm at rpm	400/1750-3000	400/1750-3000	500/1370-4500
Power transmission			
Drive type	Front-wheel drive	quattro permanent all-wheel drive	quattro permanent all-wheel drive
Wheels	Cast Aluminum alloy wheels, 5 segment spoke design 8.5J x 45.72 cm(18")	Cast Aluminum alloy wheels, 5 segment spoke design 8.5J x 45.72 cm(18")	Cast Aluminum alloy wheels, 5 twin spoke star design 8.5J x 45.72 cm(18")
Tyres	245/40 R18	245/40 R18	245/40 R18
Transmission type	7 Speed S tronic	7 Speed S tronic	8-Speed tiptronic
Weights/capacities			
Kerb weight ² in kg	1670	1875	1790
Gross vehicle weight in kg	2115	2310	2230
Fuel tank capacity, approx. in l	54	58	58
Performance/consumption⁴			
Top speed in km/h	235	235	250
Acceleration 0-100 km/h in s	7.9	7.8	4.7
Fuel grade	Diesel	Diesel	Petrol
Fuel consumption ⁵ km/l	19.2	17.2	13.57

The information contained herein is accurate as of the date of publication. Illustrations may show equipment which is optional and not part of standard specifications. Models, combinations and configurations, colours and equipment illustrated may differ from products supplied in the Indian market. Audi may alter or change designs, specifications, and combinations and configurations. Please contact an authorised Audi dealer for more exact information. Some of the images shown are relevant to left hand driven cars, and are shown for illustration purpose only. These images may not be similar to right hand driven vehicles sold in India.

Notes

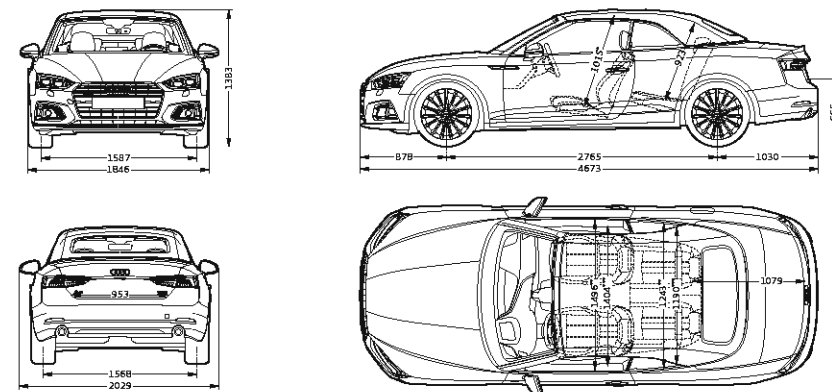
- ¹ The figure given has been calculated in accordance with the specified measuring procedure (current version of Directive80/1269/EEC).
- ² Unladen vehicle weight includes driver (68 kg), 7 kg of luggage and fuel tank 90% full, calculated in accordance with the current version of Directive 92/21/EEC. Optional equipment may increase the car's unladen weight and drag coefficient, whereupon the possible payload limit and the top speed will be reduced accordingly.
- ³ We recommend using sulphur-free super unleaded RON 95 in accordance with DIN EN 228. If not available, use sulphur-free regular unleaded RON 91 in accordance with DIN EN 228; power output will be slightly reduced. Unleaded RON 95 fuel with a maximum ethanol content of 10% (E10) can generally be used. Fuel consumption details refer to operation with RON 95 fuel in accordance with 692/2008/EC.
- ⁴ We recommend using sulphur-free diesel in accordance with DIN EN 590. If not available: diesel in accordance with EN 590.
- ⁵ The values stated were calculated using specified measuring procedures as per Bharat Stage IV by the ARAI.

Important note

Inspections are due as shown by the service display

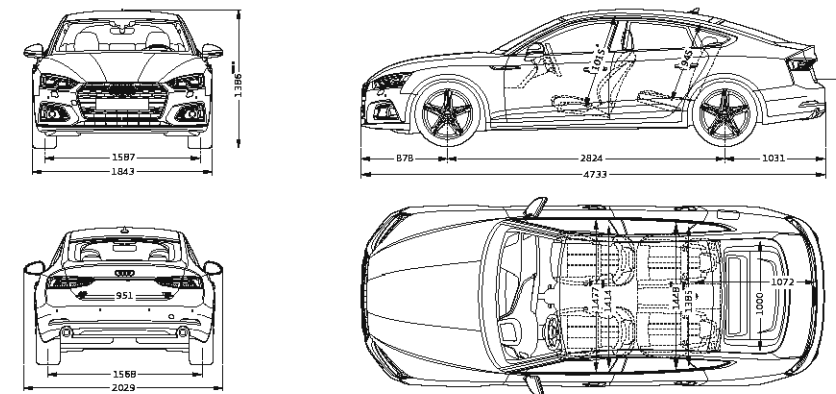
Audi A5 Cabriolet Dimensions in mm

Dimensions are for unladen vehicle weight. Luggage capacity¹ 320 l with hood open; 380 l with hood closed. Turning circle approx. 11.5 m. *Maximum headroom. **Elbow room width. ***Shoulder room width.



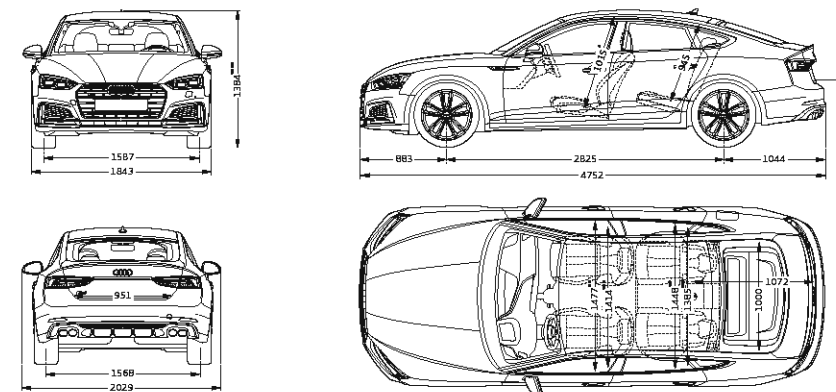
Audi A5 Sportback Dimensions in mm

Dimensions are for unladen vehicle weight. Luggage capacity¹ 480 l. Turning circle approx. 11.7 m. *Maximum headroom. **Elbow room width. ***Shoulder room width. ****With roof aerial the height of the vehicle is 1,398 mm.



Audi S5 Sportback Dimensions in mm

Dimensions are for unladen vehicle weight. Luggage capacity¹ 480 l. Turning circle approx. 11.7 m. *Maximum headroom. **Elbow room width. ***Shoulder room width. **** With roof aerial the height of the vehicle is 1,395 mm.



¹ Technical specifications refer to a basic vehicle without country-specific features and the selected optional equipment.